

MBPCX 45 T4 1,5kW Zone 2: FAN (Ex h IIB T4 Gc) + MOTOR (Ex db IIC T4 Gb) (502304545XD)

GENERAL DATA



PLASTIC ATEX FAN WITH FORWARD IMPELLER

MANUFACTURING FEATURES

- Housing made of PP-el plastic (for models size 35 and equal to or greater than size 45) other models PE-el casing
- Forward curved impeller in PP plastic.
- Motor support made of rolled steel sheet with polyester powder finishing coat.
- Stainless steel nuts and bolts.
- Standard asynchronous squirrel-cage motor, IP-55, class F insulation. Standard voltages 230/400V 50Hz for three phase motors up to 4kW and 400/690V 50Hz for higher powers. Equipped with ATEX motors

- Available positions (to be indicated in case of order): LG270, LG0, LG45, LG90, LG135, LG180, LG225, LG315, RD0, RD45, RD90, RD135, RD180, RD225, RD270, RD315.
- The indicated codes correspond to the model in position LG270

APPLICATIONS

Designed for inline installation, they are suitable for:

- Corrosive air transport.
- Chemical and petrochemical industry.
- Laboratories and gas cabinets.
- General ventilation in closed environments classified as ATEX zone 2.
- Maximum temperature of transported air: If it is clean air 70°C, other depends on the gas (see table in documentation)

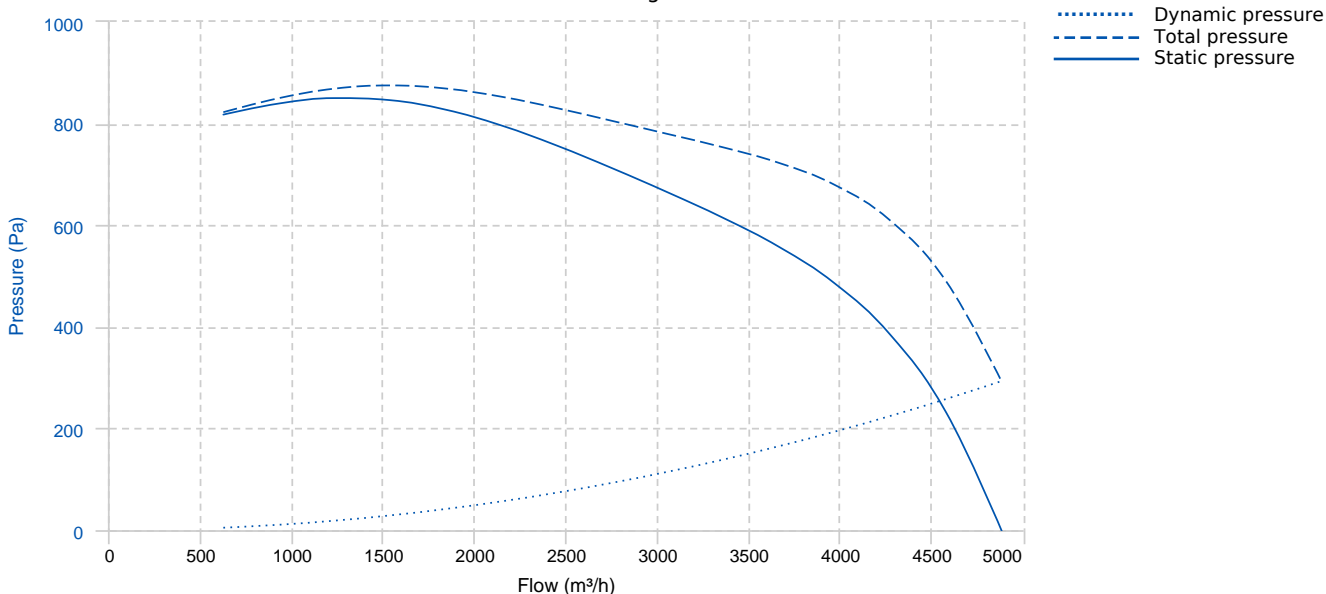
UNDER REQUEST

- 60Hz fans and special voltages fans.
- Stainless steel motor support.

In compliance with the ATEX Directive 2014/34/UE. Certified ATEX IIIG with certified ATEX motor for areas 2 (gas)

PERFORMANCE CURVE

20 °C - m - 1.2 Kg/m³



TECHNICAL DATA

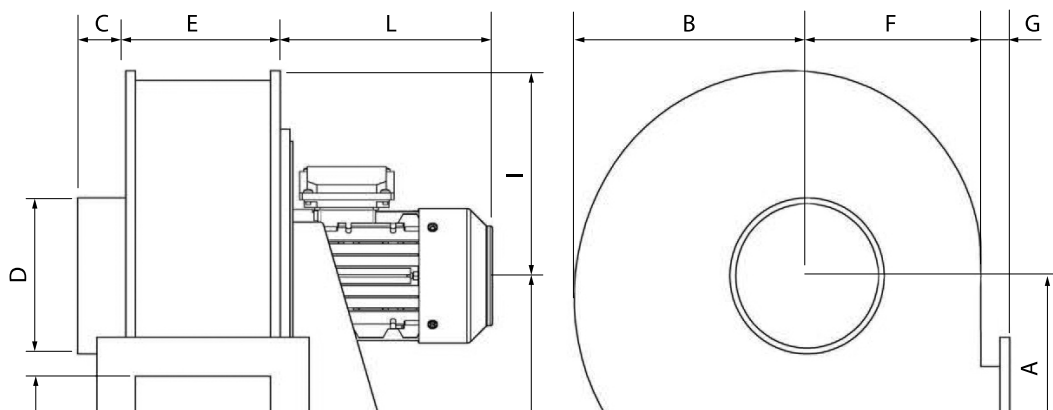
Fan

RPM	1415	Approx. weight	85 kg	Max. Flow	4880 m³/h
-----	------	----------------	-------	-----------	-----------

Motor

Power	1,5 kW	RPM	1415	I max. (400V)	3,8 A	Size	90L
Approx. weight	14 kg	Efficiency (%)	74 %	FP	0.78		

DIMENSIONS

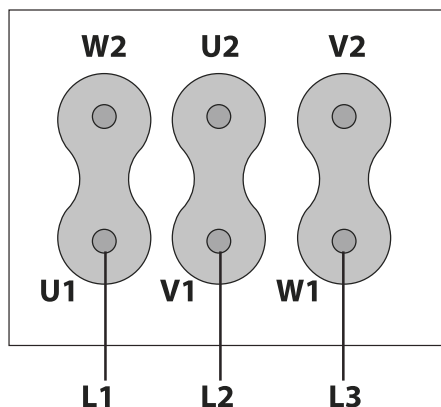


Dimensions (mm)

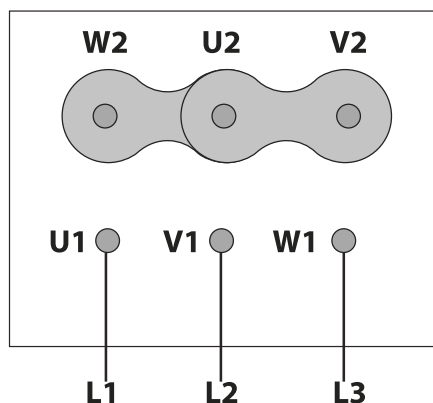
A	292	B	382	C	50	D	280	E	280
F	340	G	40	H	550	I	350	L	290
N	370	P	170	Q	250	R	410	S	210
V	40	X	40	Y	20	Z	300	Ø	11

WIRING DIAGRAM

230V 



400V 



ACCESSORIES



ANTI-VIBRATING FLANGE 400^ø/2H
BA-400 30/31
REF: 960002052



ANTI-VIBRATION JOINT
JE 45
REF: A-300719201



ATEX SWITCH
INT 16 ATEX
REF: 510200016X



PVC FLEXIBLE JOINT
FJ Ø280
REF: FJ-280



DIFUSOR GRID
DG Ø280
REF: DG280



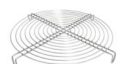
CIRCULAR GRAVITY DAMPER
CSC Ø280
REF: CSC280



ADJUSTABLE DAMPER
AD Ø280
REF: AD-280



DRAIN PLUG
PD 1
REF: PD1



STAINLESS STEEL PROTECTION GRID
RPI Ø280
REF: RPI280



WALL SUPPORT
WS 1
REF: WS1



**ANTI-VIBRATION BLOCK
AV 2**
REF: AV-2



**FREQUENCY SPEED CONTROLLER
SFC 230 I 7A ***
REF: SFC230I007



**FREQUENCY SPEED CONTROLLER
SFC 400 III 5A ***
REF: SFC400III5

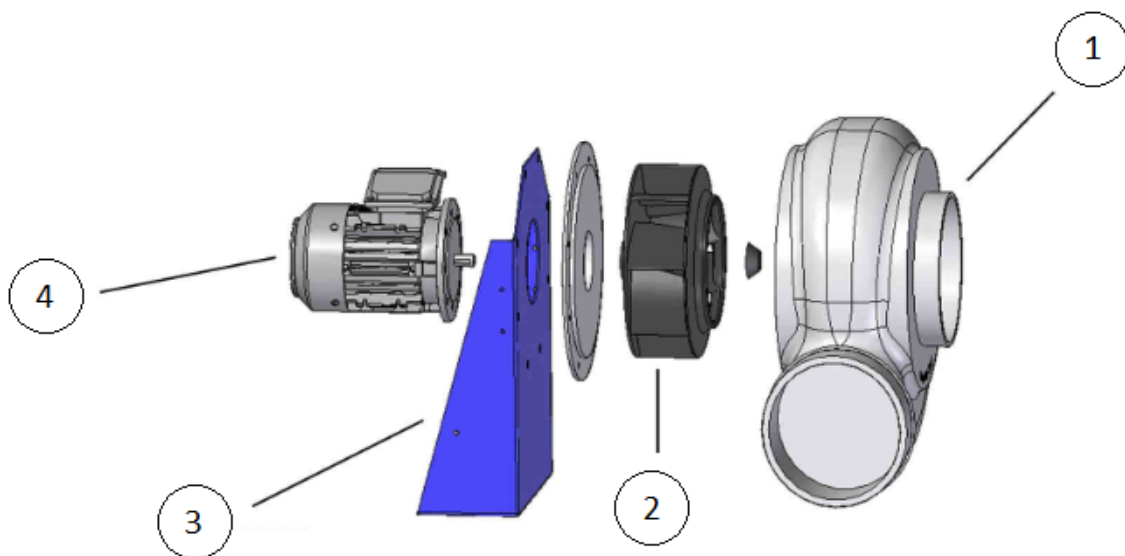


**ANTI-VIBRATION RUBBER BLOCK
AVR (GENERIC)**



**ANTI-VIBRATION SPRING BLOCK
AVS (GENERIC)**

SPARE PARTS



	Code	Model	Qty
1	T03104545	IMPELLER MBPCX 45 T4 1,1 kW LG	x1
2	721601155	MOTOR 1,5KW 1500 B3 220/380V II2G IIC T4 Ex-d Gb IP66	x1